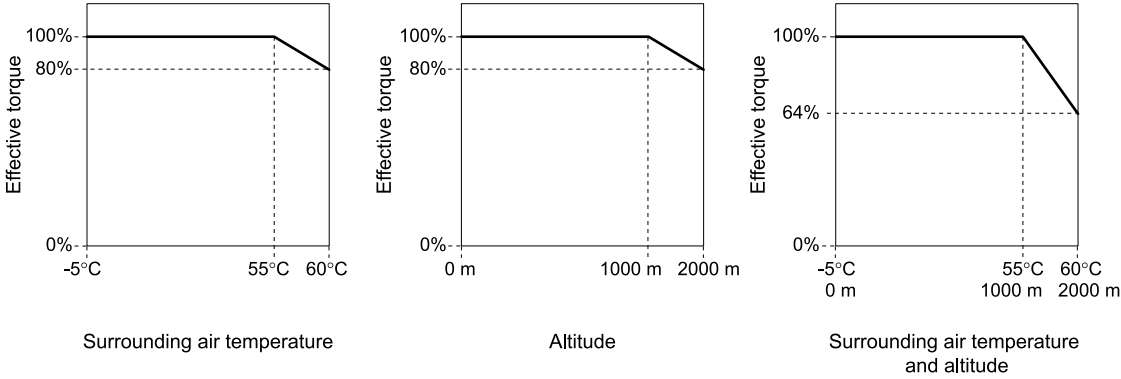


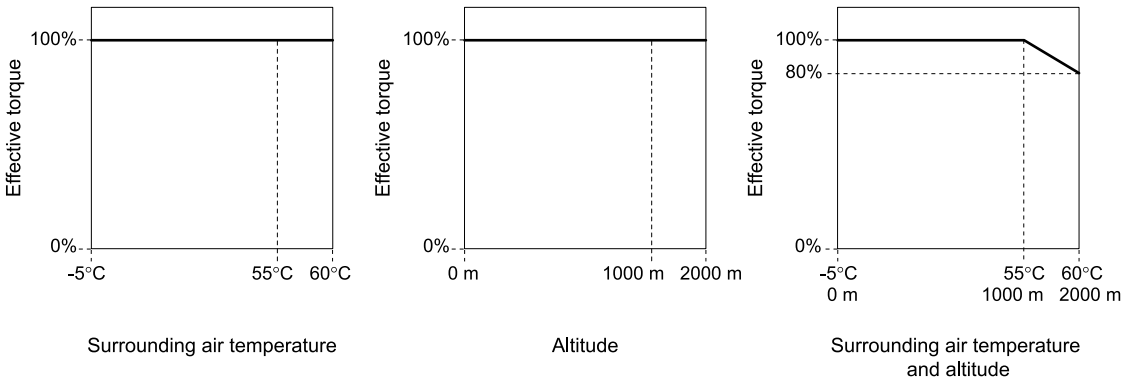
## Derating Specifications

If you use the SERVOPACK at a surrounding air temperature of 55°C to 60°C or at an altitude of 1000 m to 2000 m, you must apply the derating rates given in the following graphs.

### ■ SGDXS-R70A, -R90A, -1R6A, -2R8A



### ■ SGDXS-3R8A, -5R5A, -7R6A, -120A, -180A, -200A, -330A, -470A, -550A, -590A, -780A

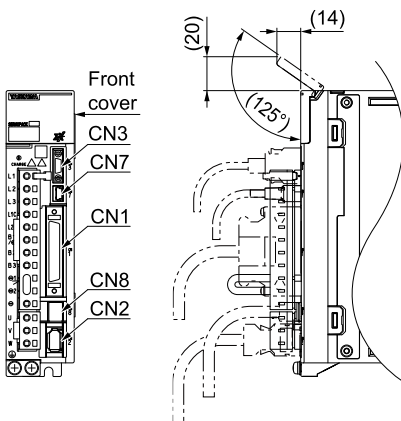


## External Dimensions

### Front Cover Dimensions and Connector Specifications

The connector shapes and pin assignments depend on the interfaces of the SERVOPACK. Refer to the following figures and table.

#### ■ Front Cover Dimensions



## ■ Connector Specifications

Connector No.	Model	Number of Pins	Manufacturer
CN1	10250-52A2PL	50	3M Japan Limited
CN2	53984-0681	6	Molex Japan Co., Ltd.
CN3	HDR-EC14LFDTN-SLD-PLUS	14	Honda Tsushin Kogyo Co., Ltd.
CN7	2342993-1	5	Tyco Electronics Japan G.K.
CN8	2294415-1	8	Tyco Electronics Japan G.K.

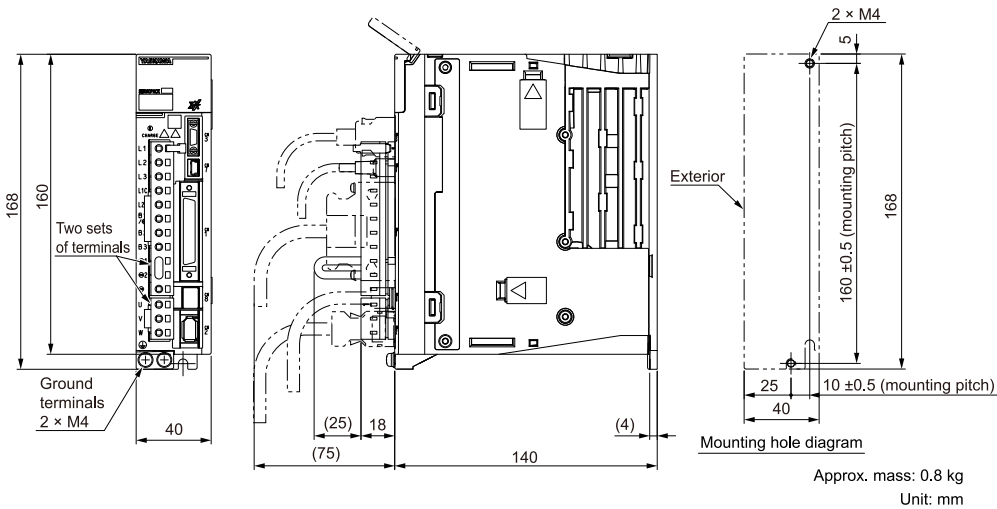
### Note:

The above connectors or their equivalents are used for the SERVOPACKs.

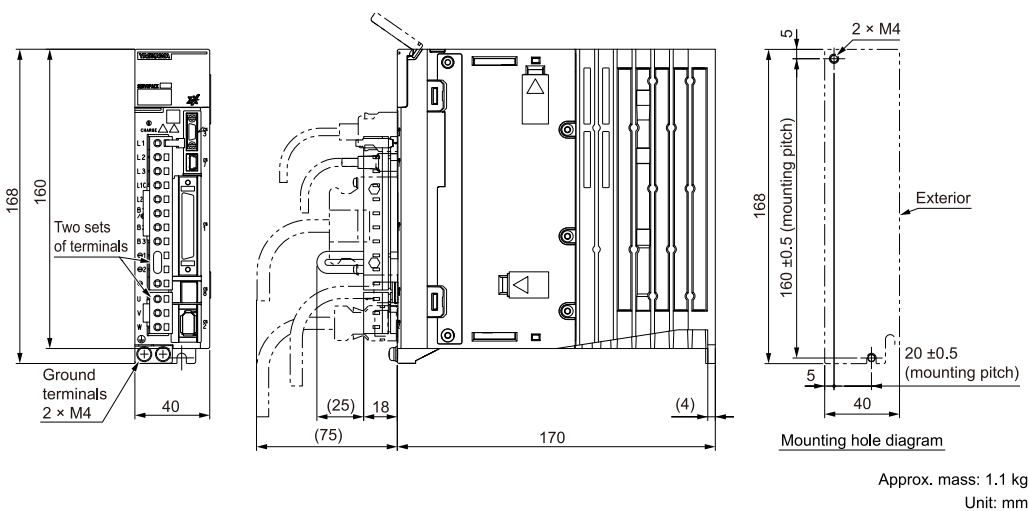
## SERVOPACK External Dimensions

### ■ Base-mounted SERVOPACKs

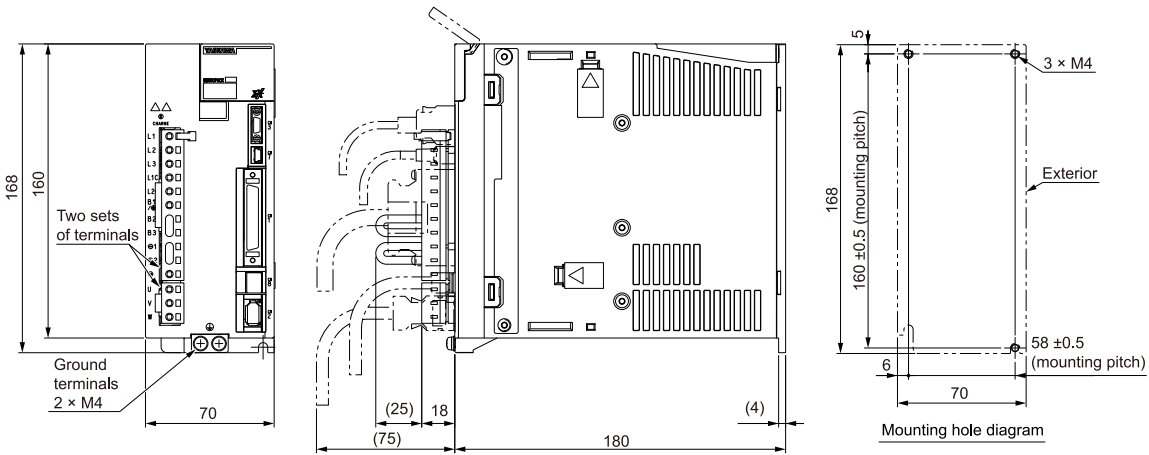
#### ◆ SGDXS-R70A, -R90A, -1R6A



#### ◆ SGDXS-2R8A

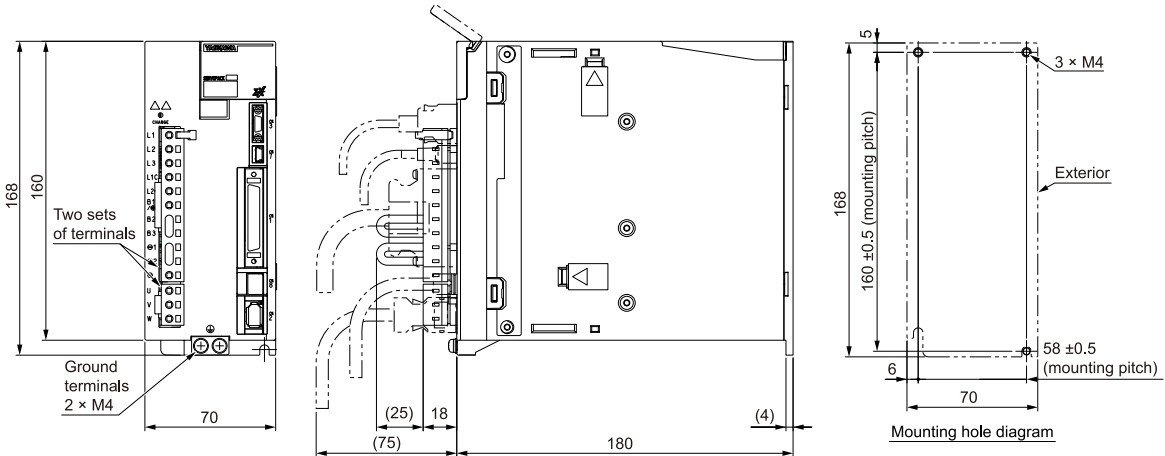


◆ **SGDXS-3R8A**



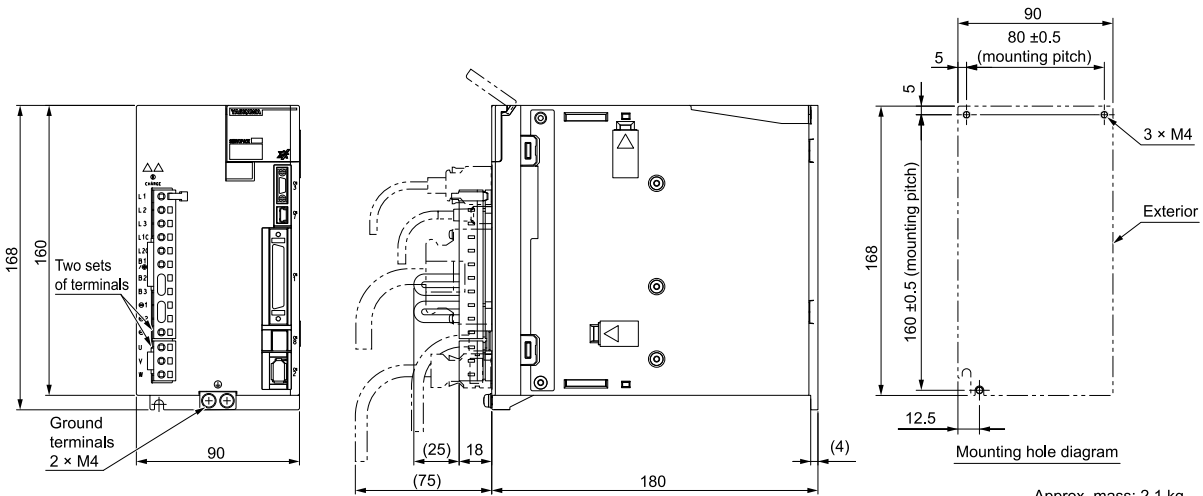
Approx. mass: 1.7 kg  
Unit: mm

◆ **SGDXS-5R5A, -7R6A**



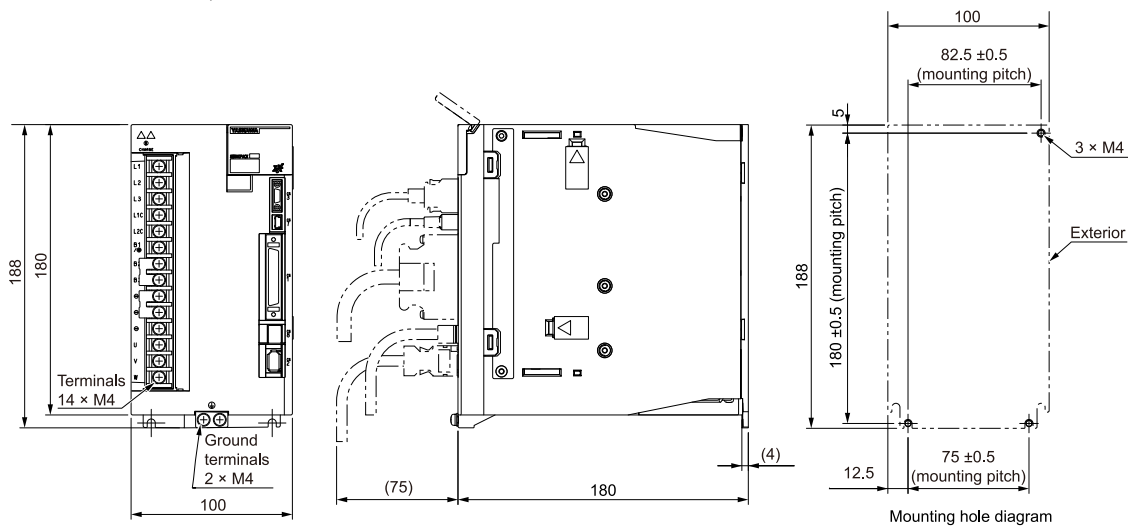
Approx. mass: 1.6 kg  
Unit: mm

◆ **SGDXS-120A**



Approx. mass: 2.1 kg  
Unit: mm

◆ **SGDXS-180A, -200A**

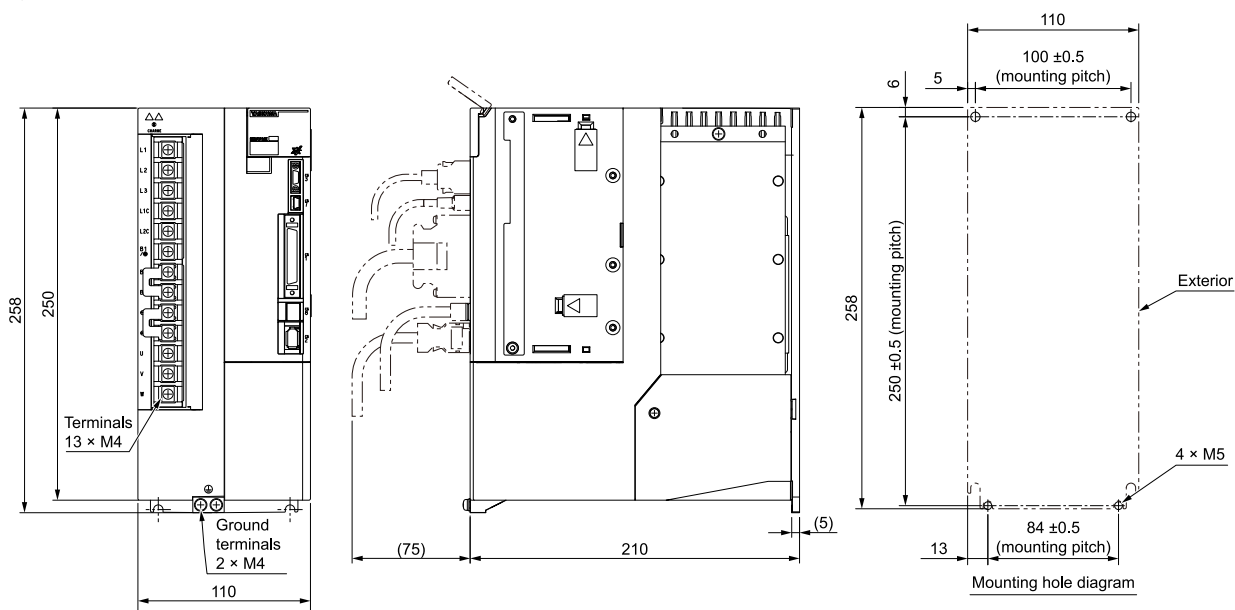


Approx. mass: 2.8 kg  
Unit: mm

**Note:**

These drawings show the SERVOPACK with the terminal cover removed.

◆ **SGDXS-330A**

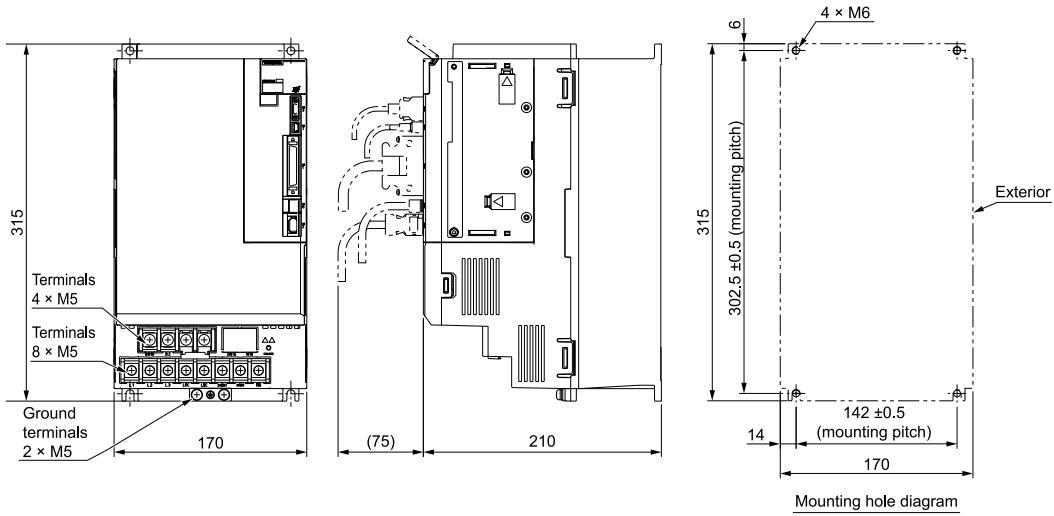


Approx. mass: 4.4 kg  
Unit: mm

**Note:**

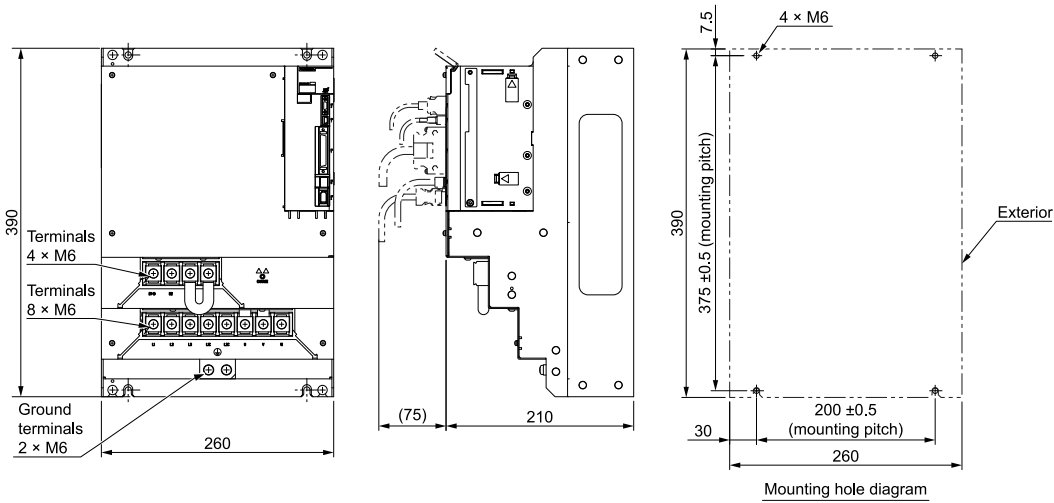
These drawings show the SERVOPACK with the terminal cover removed.

◆ **SGDXS-470A, -550A**



Approx. mass: 9.0 kg  
Unit: mm

◆ **SGDXS-590A, -780A**

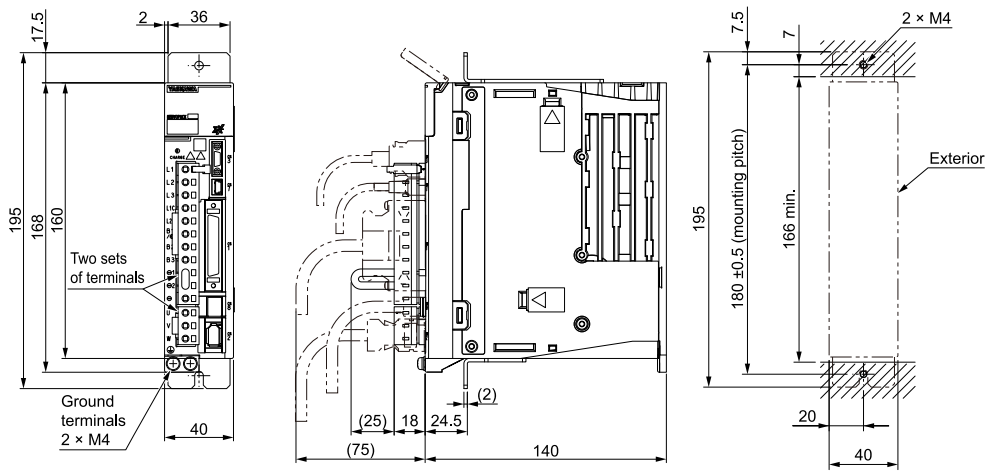


Approx. mass: 16 kg  
Unit: mm

■ **Rack-mounted SERVOPACKs**

Hardware Option Code: 0001

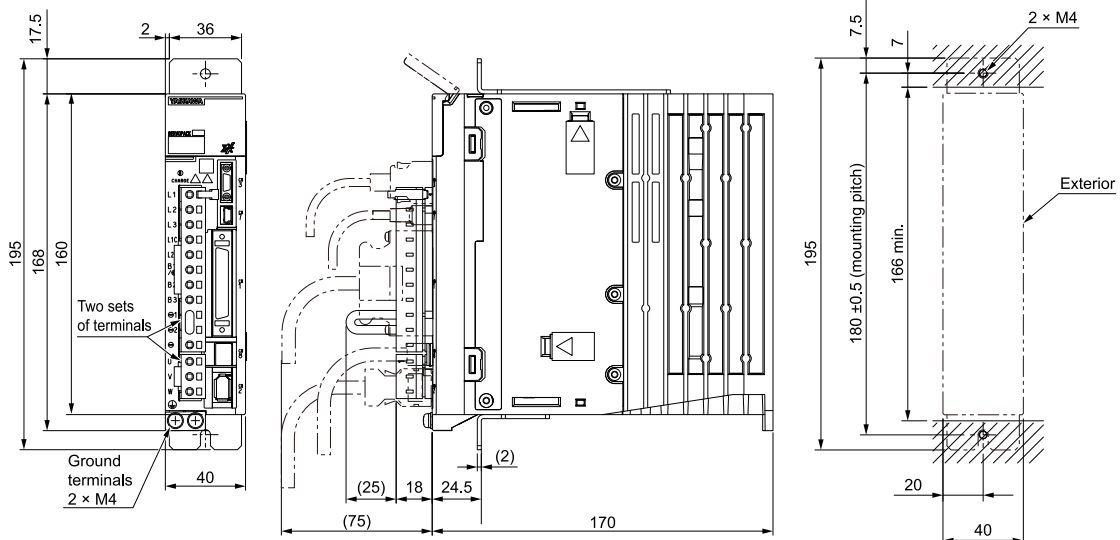
◆ **SGDXS-R70A, -R90A, -1R6A**



Mounting hole diagram

Approx. mass: 0.9 kg  
Unit: mm

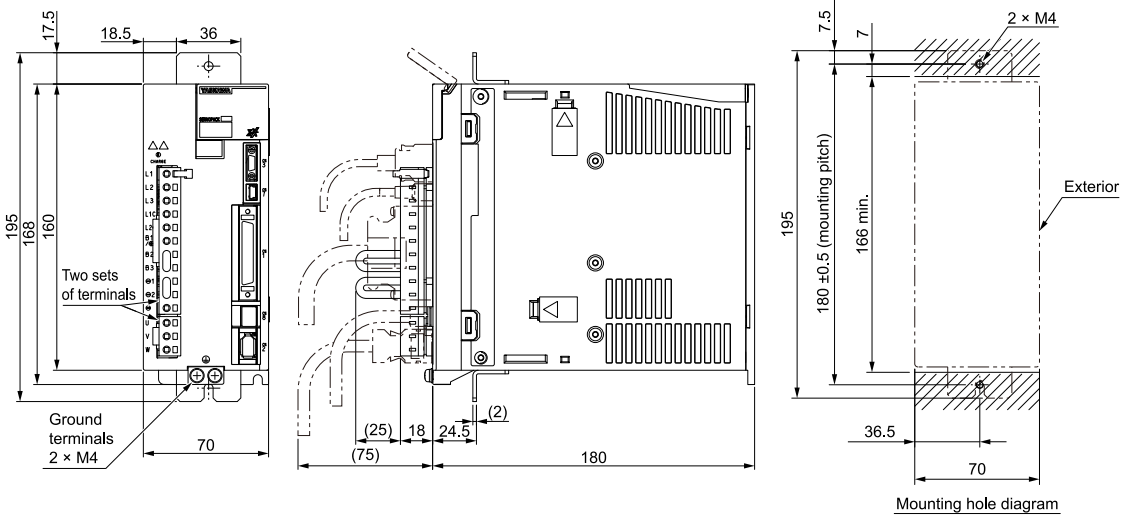
◆ **SGDXS-2R8A**



Mounting hole diagram

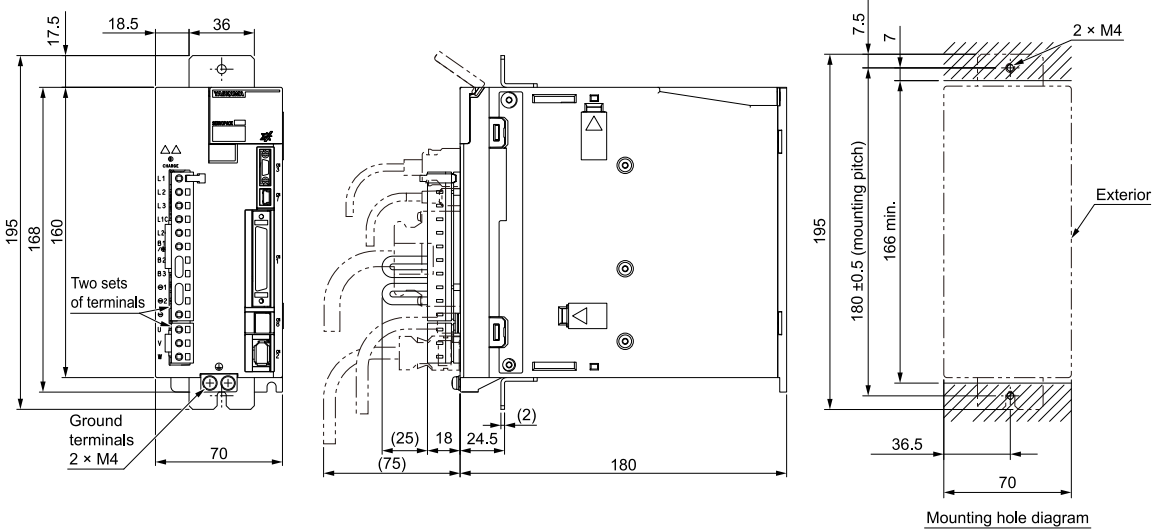
Approx. mass: 1.1 kg  
Unit: mm

◆ **SGDXS-3R8A**



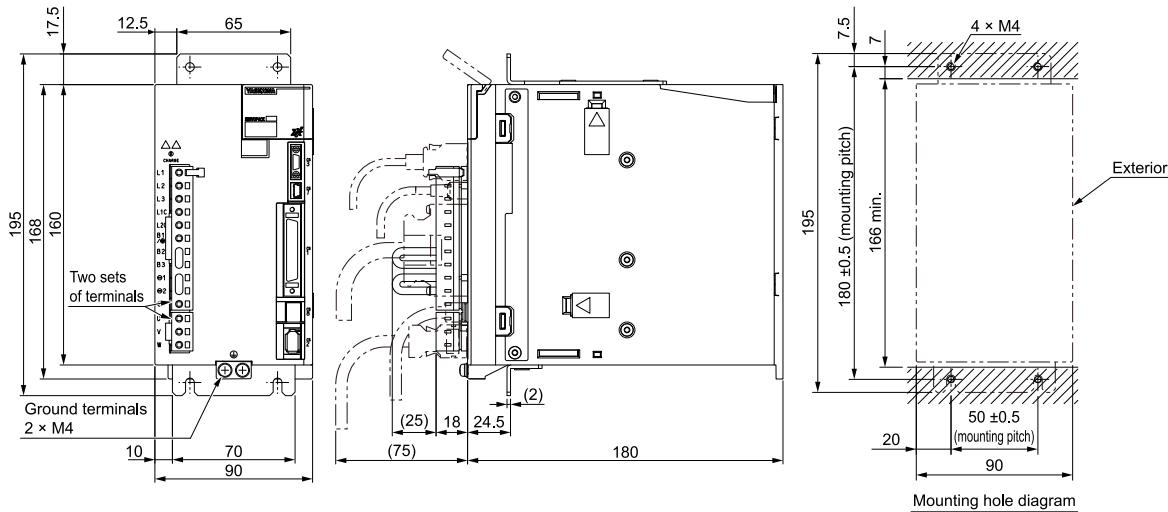
Approx. mass: 1.7 kg  
Unit: mm

◆ **SGDXS-5R5A, -7R6A**



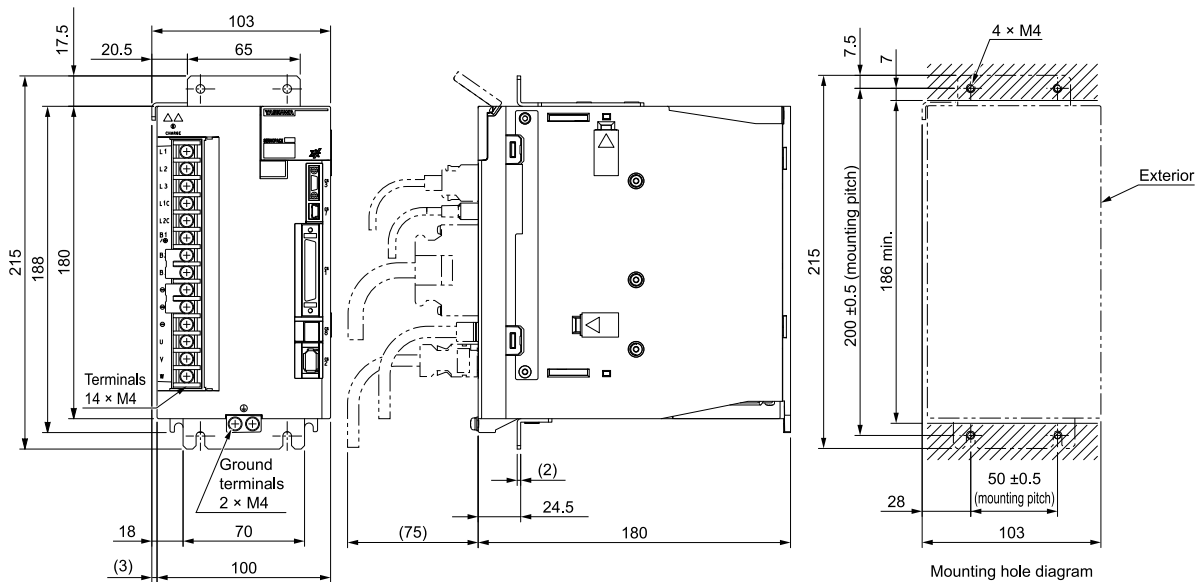
Approx. mass: 1.7 kg  
Unit: mm

◆ **SGDXS-120A**



Approx. mass: 2.2 kg  
Unit: mm

◆ **SGDXS-180A, -200A**



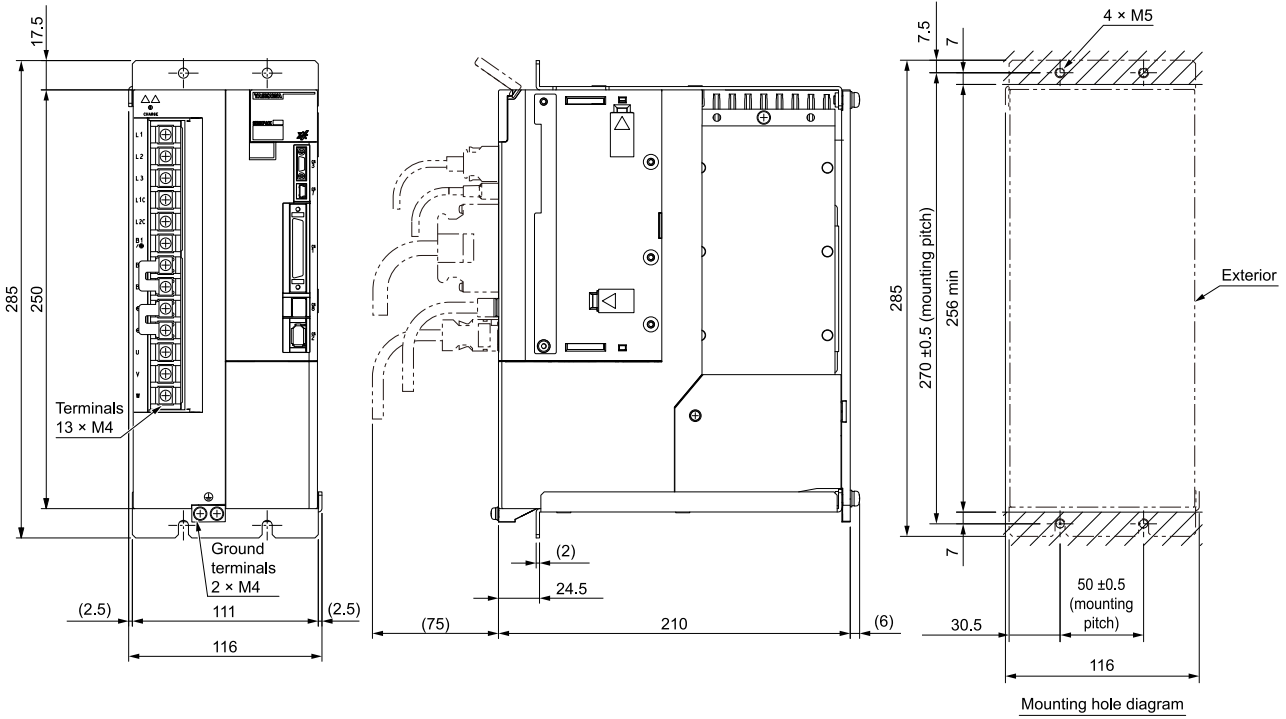
Approx. mass: 2.9 kg  
Unit: mm

**Note:**

These drawings show the SERVOPACK with the terminal cover removed.



◆ **SGDXS-330A**



Approx. mass: 4.9 kg  
Unit: mm

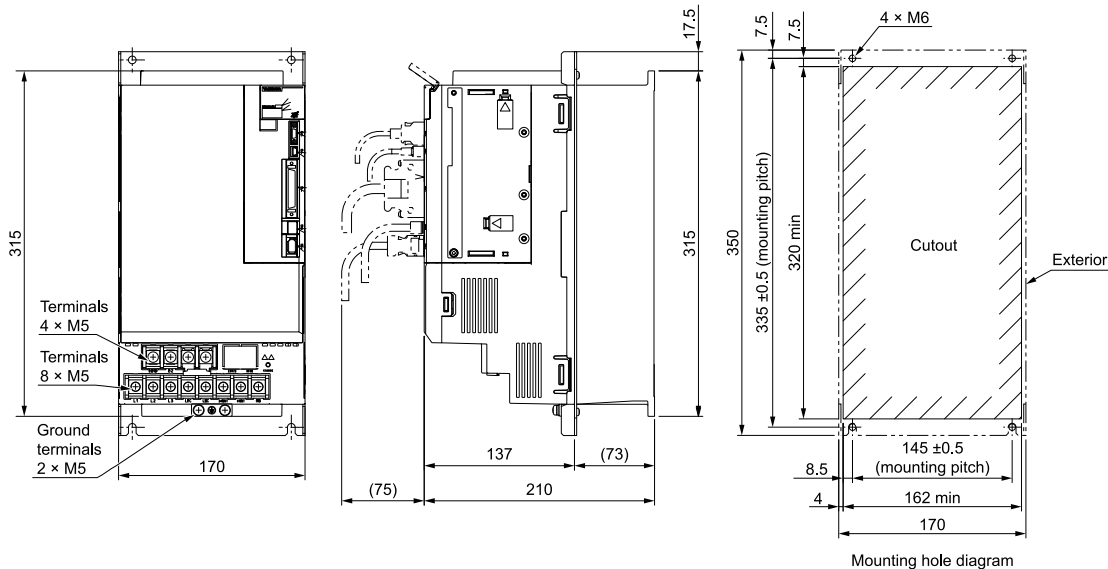
**Note:**

These drawings show the SERVOPACK with the terminal cover removed.

■ Duct-ventilated SERVOPACKs

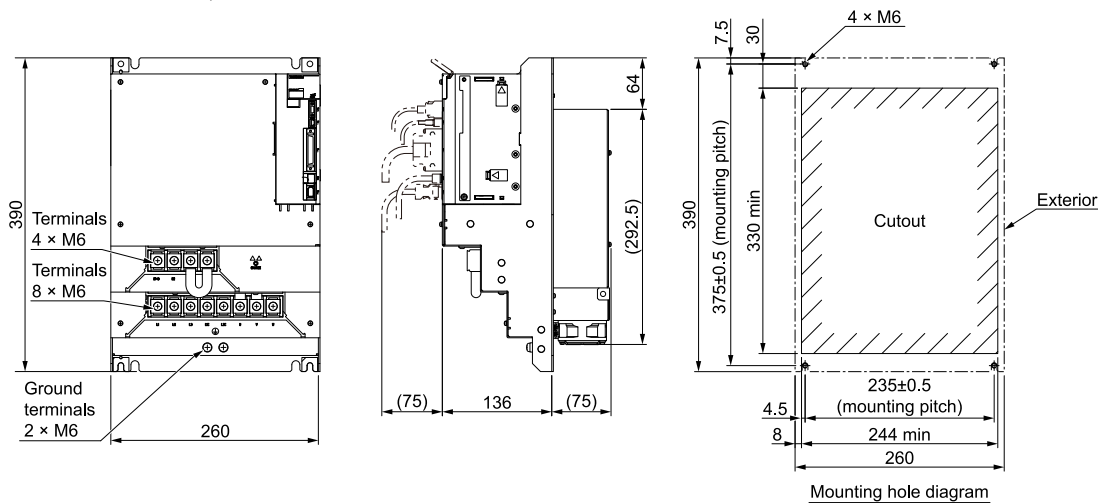
Hardware Option Code: 0001

◆ SGDXS-470A, -550A



Approx. mass: 9.0 kg  
Unit: mm

◆ SGDXS-590A, -780A



Approx. mass: 15 kg  
Unit: mm