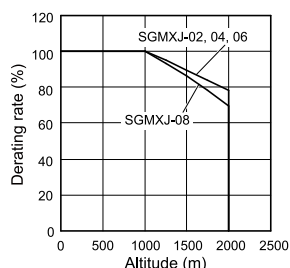
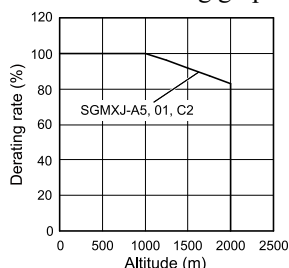


Applications Where the Altitude Exceeds 1000 m

The servomotor ratings are the continuous allowable values at an altitude of 1000 m or less. If you use a servomotor at an altitude that exceeds 1000 m (2000 m max.), the heat dissipation effect of the air is reduced. Apply the appropriate derating rate from the following graphs.



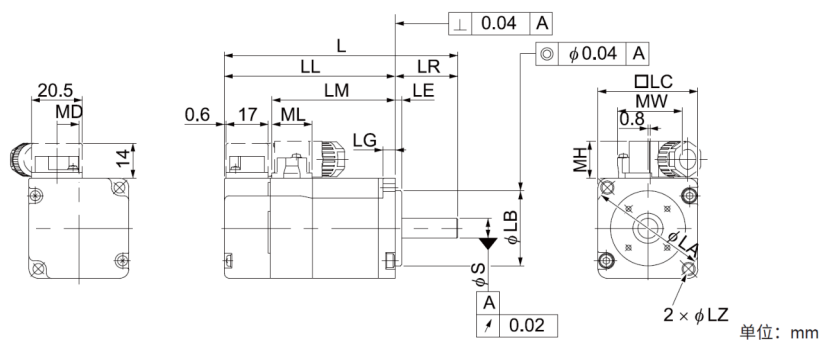
Note:

- When using servomotors with derating, change the detection timing of overload warning and overload alarm based on the overload detection level of the motor given in "Servomotor Overload Protection Characteristics on page 59".
- Use the combination of the SERVOPACK and servomotor so that the derating conditions are satisfied for both the SERVOPACK and servomotor.
- The derating rates are applicable only when the average rotation speed is less than or equal to the rated rotation speed. If the average rotation speed exceeds the rated rotation speed, consult with your Yaskawa representative.

External Dimensions

SGMJJ-A5 to -C2

Standard Specification



Model SGMJJ-	L	LL	LM	Flange Dimensions						
				LR	LE	LG	LC	LA	LB	LZ
A5A□A2□C2	80.5 (121.0)	55.5 (96.0)	37.5	25	2.5	5	40	46	30 ⁰ _{-0.021}	4.3
C2A□A2□C2	104.5 (153.0)	79.5 (128.0)	61.5	25	2.5	5	40	46	30 ⁰ _{-0.021}	4.3

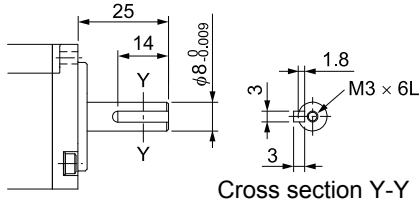
- The values in parentheses are for servomotors with holding brakes.
- The values for a straight shaft end without key specification are given. Refer to the information given below for other shaft end specifications and option specifications.

Model SGMJJ-	MD	MW	MH	ML
A5A□A2□C2	8.8	25.8	14.7	16.1
C2A□A2□C2	8.8	25.8	14.7	16.1

The dimensions for non-connector parts are identical to those for models with standard specifications.

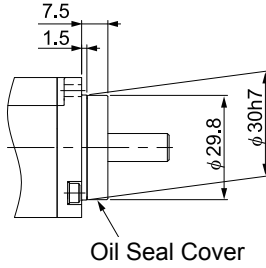
■ Shaft End Specification

- Straight with Key and Tap



■ Option Specification

- With Oil Seal



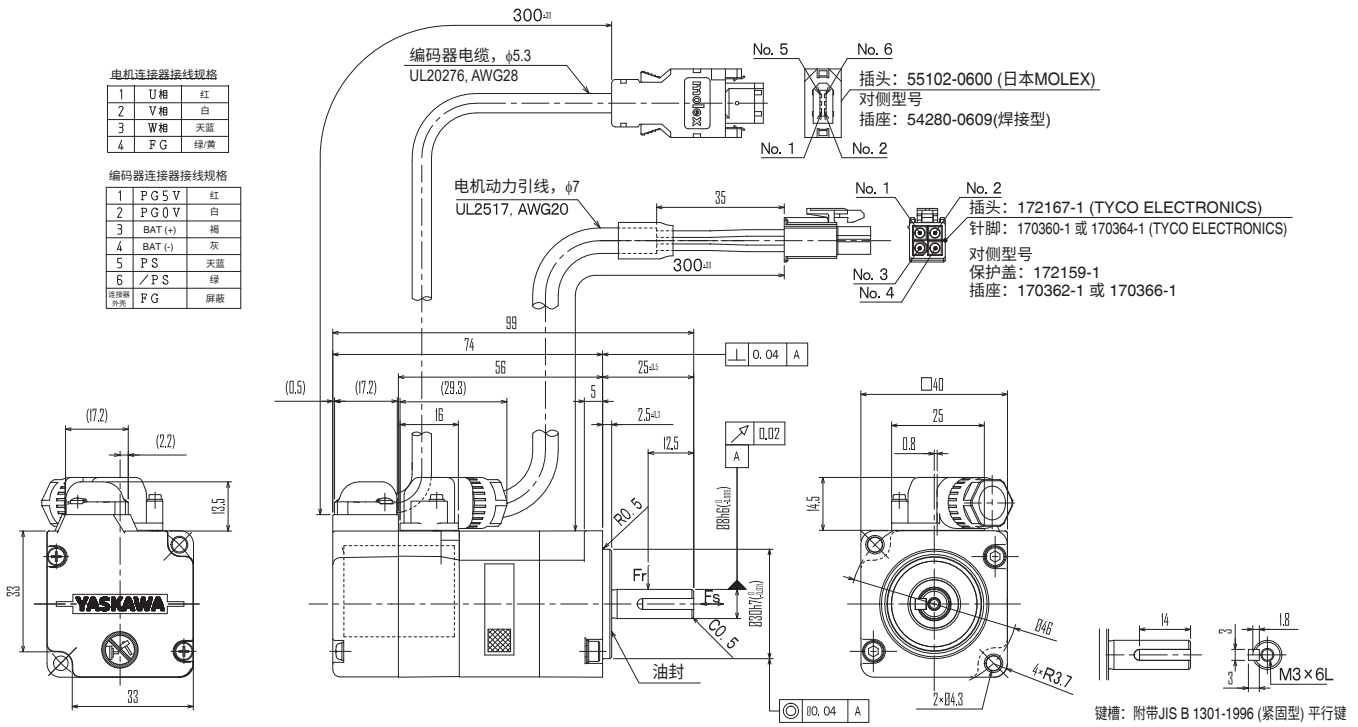
SGMXJ-01A □ A6SC2

电机连接器接线规格

1	U相	红
2	V相	白
3	W相	天蓝
4	F G	绿/黄

编码器连接器接线规格

1	P G S V	红
2	P G O V	白
3	BAT (+)	褐
4	BAT (-)	灰
5	P S	天蓝
6	/ P S	绿
插接端	F G	屏蔽



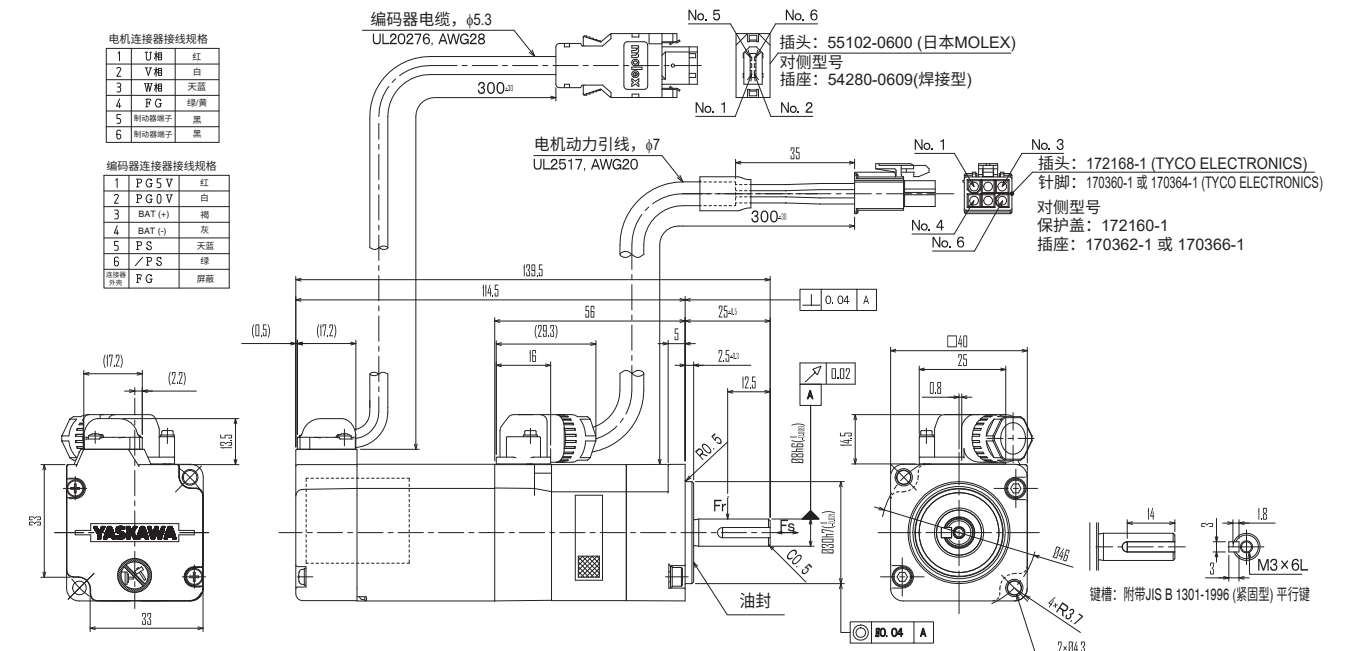
SGMXJ-01A □ A6EC2

电机连接器接线规格

1	U相	红
2	V相	白
3	W相	天蓝
4	F G	绿/黄
5	制动反馈端子	黑
6	制动反馈端子	黑

编码器连接器接线规格

1	P G S V	红
2	P G O V	白
3	BAT (+)	褐
4	BAT (-)	灰
5	P S	天蓝
6	/ P S	绿
插接端	F G	屏蔽



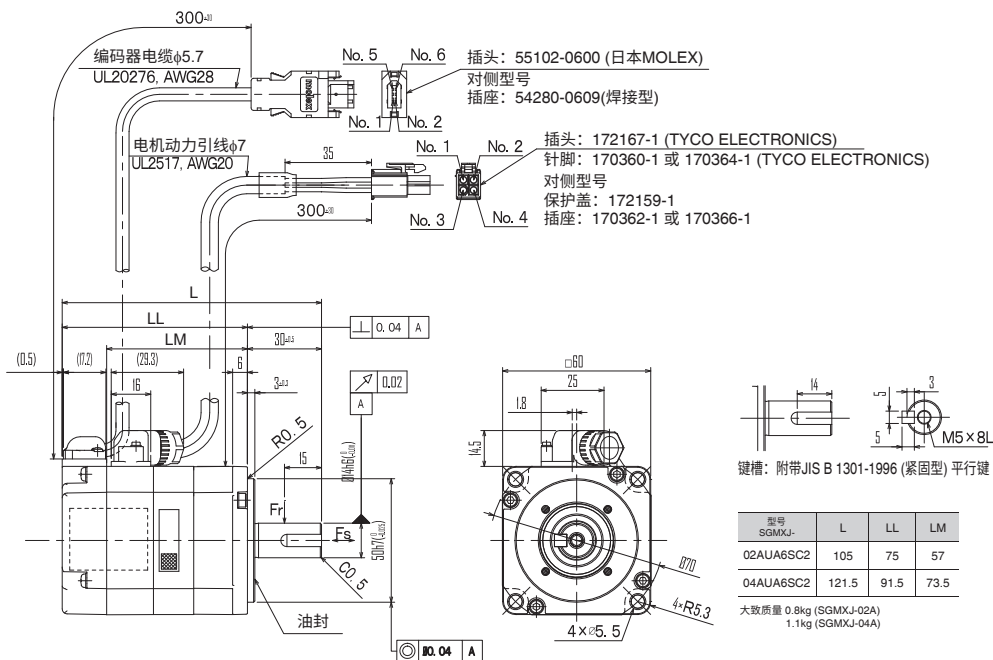
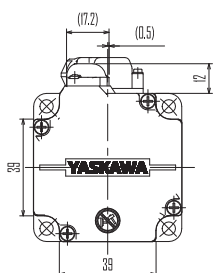
SGMJX-02/04AUA6SC2

电机连接器接线规格

1	U相	红
2	V相	白
3	W相	天蓝
4	FG	绿黄

编码器连接器接线规格

1	PGSV	红
2	PGOV	白
3	BAT(+)	褐
4	BAT(-)	灰
5	PS	天蓝
6	/PS	绿
屏蔽层	FG	屏蔽



型号 SGMJX-	L	LL	LM
02AUA6SC2	105	75	57
04AUA6SC2	121.5	91.5	73.5

大致质量 0.8kg (SGMJX-02A)
1.1kg (SGMJX-04A)

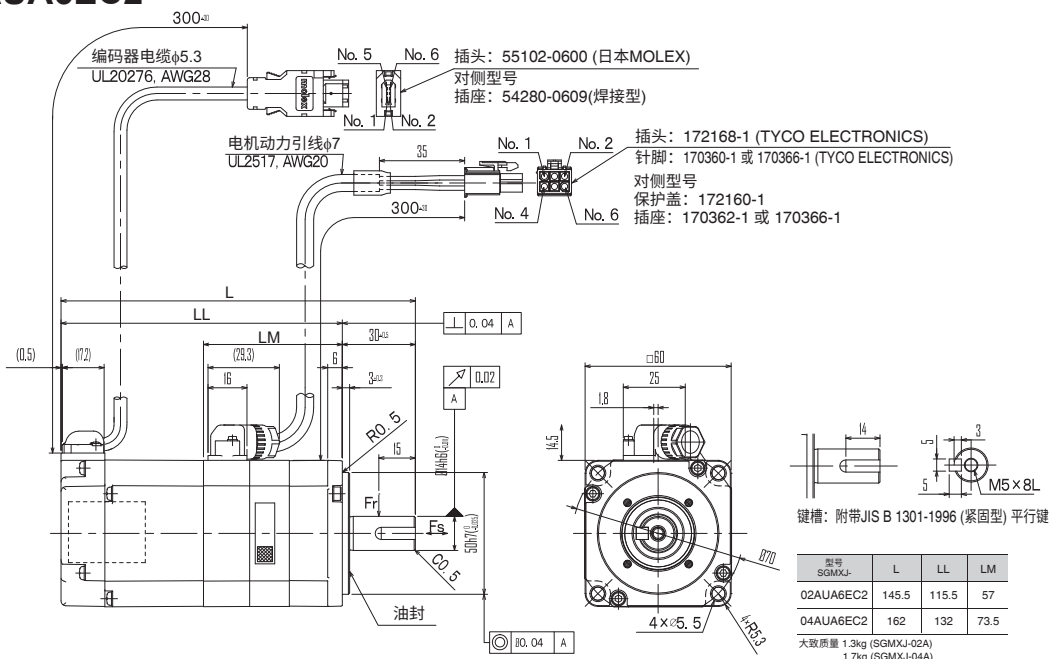
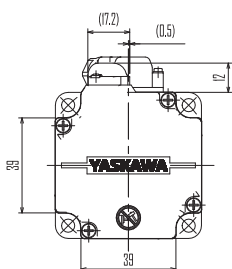
SGMJX-02/04AUA6EC2

电机连接器接线规格

1	U相	红
2	V相	白
3	W相	天蓝
4	FG	绿黄
5	制动端子	黑
6	制动端子	黑

编码器连接器接线规格

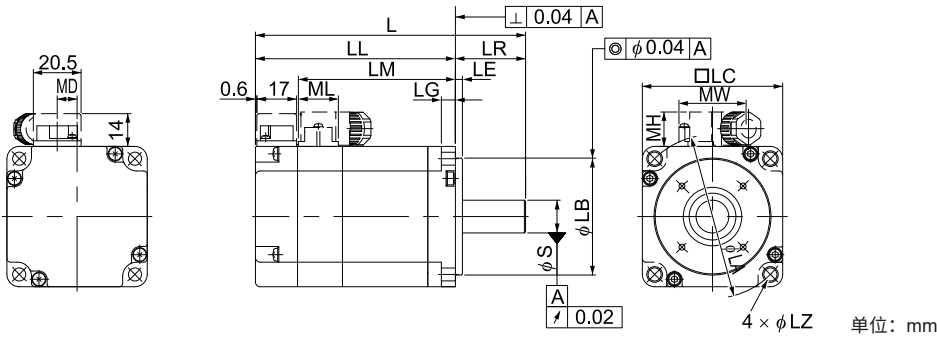
1	PGSV	红
2	PGOV	白
3	BAT(+)	褐
4	BAT(-)	灰
5	PS	天蓝
6	/PS	绿
屏蔽层	FG	屏蔽



型号 SGMJX-	L	LL	LM
02AUA6EC2	145.5	115.5	57
04AUA6EC2	162	132	73.5

大致质量 1.3kg (SGMJX-02A)
1.7kg (SGMJX-04A)

SGMXJ-06



型号 SGMXJ-	L	LL	LM	法兰尺寸						
				LR	LE	LG	LC	LA	LB	LZ
06A□A2□C2	137 (191.0)	107 (161.0)	89	30	3	6	60	70	50 ⁰ _{-0.025}	5.5

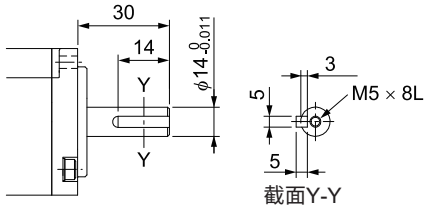
- (注) 1. The values in parentheses are for servomotors with holding brakes.
2. The values for a straight shaft end without key specification are given. Refer to the information given below for other shaft end specifications and option specifications.

型号 SGMXJ-	MD	MW	MH	ML
06A□A2□C2	8.5	28.7	14.7	17.1

- (注) The dimensions for non-connector parts are identical to those for models with standard specifications.

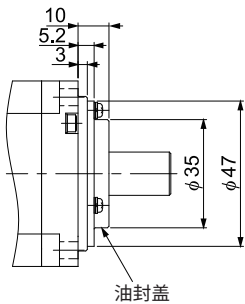
■ Shaft End Specification

- Straight with Key and Tap



■ Option Specification

- With Oil Seal



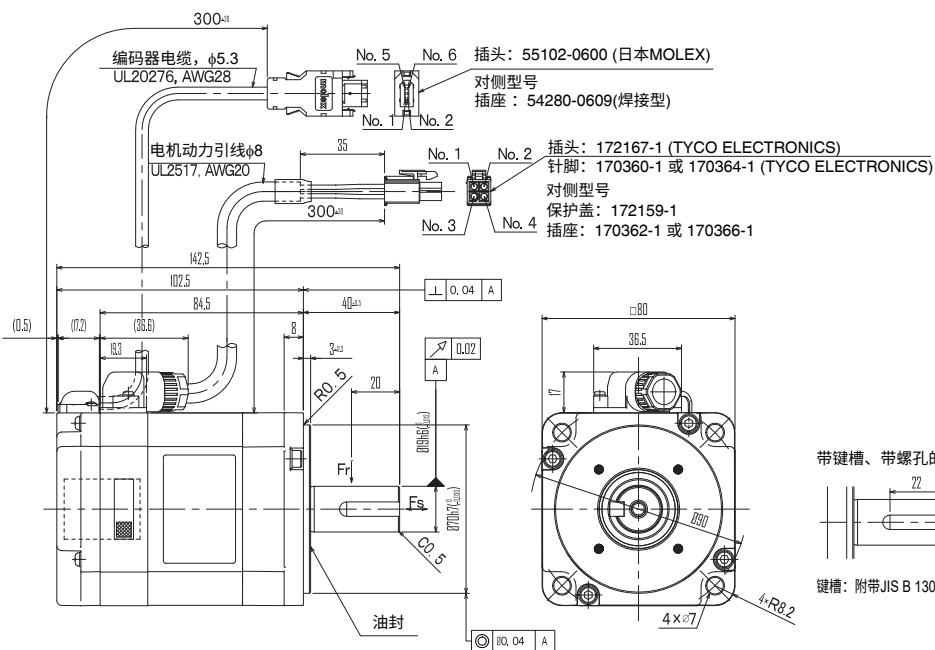
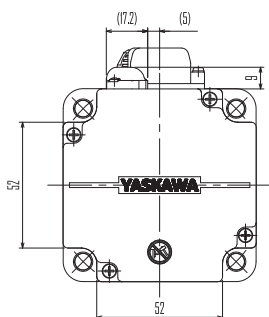
SGMJ-08AUA6SC2

电机连接器接线规格

1	U相	红
2	V相	白
3	W相	天蓝
4	FG	绿黄

编码器连接器接线规格

1	PGSV	红
2	PG0V	白
3	BAT(+)	褐
4	BAT(-)	灰
5	PS	天蓝
6	/PS	绿
屏蔽层	FG	屏蔽



SGMJ-08AUA6EC2

电机连接器接线规格

1	U相	红
2	V相	白
3	W相	天蓝
4	FG	绿黄
5	制动端子	黑
6	制动端子	黑

编码器连接器接线规格

1	PGSV	红
2	PG0V	白
3	BAT(+)	褐
4	BAT(-)	灰
5	PS	天蓝
6	/PS	绿
屏蔽层	FG	屏蔽

